

# IS 3180

DALI-2 APC - surface, sq.  
EAN 4007841 010553  
Article number 010553



Infrarot-Sensor  
180°



Max. 20 m



IP54



2 - 1000 Lux



5 Sek - 15 Min



Manuelle  
Übersteuerung 4  
Std



Ideal 2 m

Teach

Teach mode



Energie sparen

5 years

Herstellergarantie  
steinel-  
professional.de/  
garantie

## Function description

For large areas. Infrared motion detector IS 3180 for indoors and out, ideal for watching over large areas, ideal installation height 2 m, 180° angle of coverage, reach 20 m max. or 8 m max. (tangential), large terminal compartment for easy installation.

## Technical specifications

Dimensions (L x W x H)	65 x 95 x 95 mm	Optimum mounting height	2 m
Manufacturer's Warranty	5 years	Detection angle	180 °
Settings via	Remote control, Potentiometers, Smart Remote	Angle of aperture	90 °
With remote control	No	Sneak-by guard	Yes
Version	DALI-2 APC - surface, sq.	Capability of masking out individual segments	Yes
PU1, EAN	4007841010553	Electronic scalability	No
Type	Motion detectors	Mechanical scalability	No
Application, place	Outdoors, Indoors	Reach, radial	r = 3 m (14 m <sup>2</sup> ) / r = 4 m (25 m <sup>2</sup> )
Application, room	corridor / aisle, function room / ancillary room, stairwell, multi-storey / underground car park, outdoors, all round the building, courtyard & driveway, Indoors	Reach, tangential	r = 6 m (57 m <sup>2</sup> ) / r = 20 m (628 m <sup>2</sup> )
Colour	white	Switching zones	448 switching zones
Colour, RAL	9003	Functions	Normal / test mode, Manual ON / ON-OFF, Constant-lighting control ON-OFF
Includes corner wall mount	No	Twilight setting	2 – 1000 lx
Installation site	wall, corner	Time setting	5 s – 15 Min.
Installation	Surface wiring, Wall, corner	Basic light level function	Yes
		Basic light level function time	1-30 min, all night

# IS 3180

DALI-2 APC - surface, sq.  
EAN 4007841 010553  
Article number 010553



## Technical specifications

IP-rating	IP54	Main light adjustable	50 - 100 %
Ambient temperature	-20 – 50 °C	Twilight setting TEACH	Yes
Material	Plastic	Constant-lighting control	Yes
Mains power supply	220 – 240 V / 50 – 60 Hz	Interconnection	Yes
SteuerAusgang, Dali	Broadcast 1x30 electronic ballasts	Type of interconnection	Master/slave
Technology, sensors	passive infrared, Light sensor	Interconnection via	Cable
Mounting height	1,80 – 2,50 m		
Mounting height max.	2,50 m		

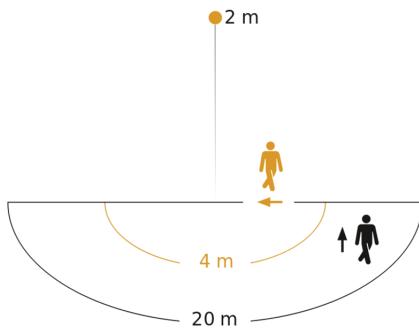
## Accessories

EAN 4007841 009151	Remote control Smart Remote
EAN 4007841 559410	Service remote control RC8
EAN 4007841 592806	User remote control RC5
EAN 4007841 035174	Corner wall mount 3000
EAN 4007841 056711	Black cover for IR-sensors

# IS 3180

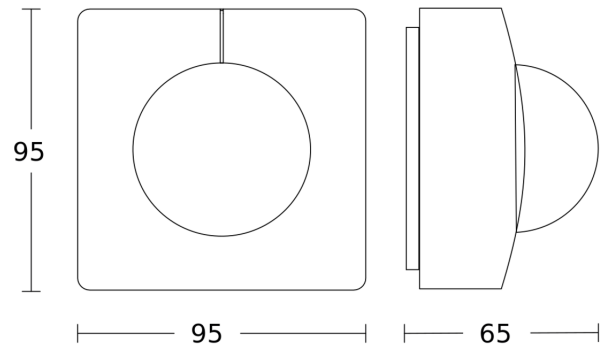
DALI-2 APC - surface, sq.  
 EAN 4007841 010553  
 Article number 010553

## Detection Zone

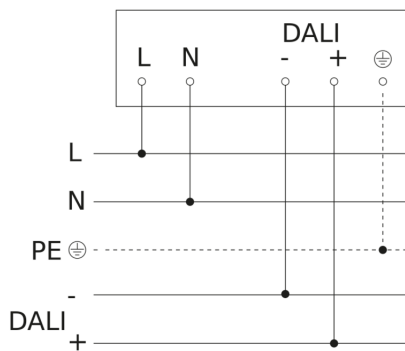


Possible mounting height: 1,80 m - 2,50 m  
 Orange: radial  
 Black: tangential

## Dimension Drawing



## Master circuit diagram



## Circuit diagram for interconnecting DALI-2 APC with DALI-2 IPD

